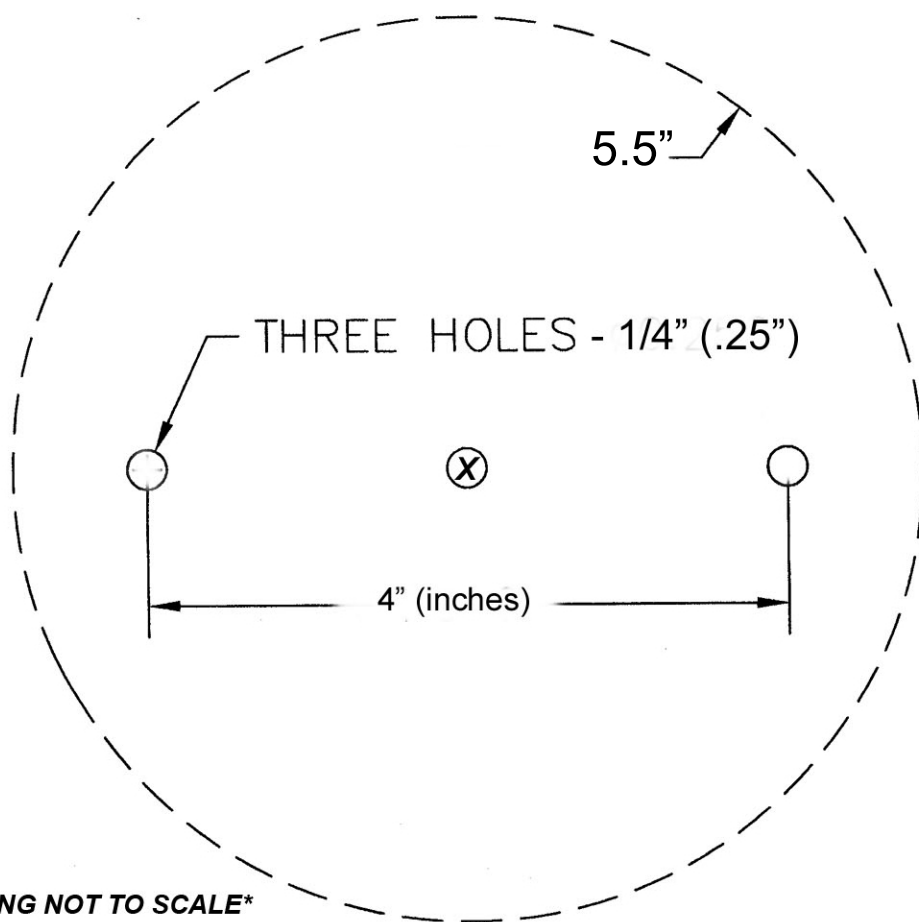


Recommended Mounting Instructions for Part # LED625-X

1. Locate a flat surface on vehicle and position light parallel to the ground.
2. In the interior of the vehicle, loosen upholstery at mounting location.
3. Use center-punch if available to start three (3) mounting holes - See diagram below.
Drill the three holes out using a 1/4" drill bit.
4. Insert wire through center hole (X) and position mounting bolts in holes.
5. Connect **red wire** to power (+) and **black wire** (if provided) to ground (-)
6. If black wire is not provided, light is grounded to a metal surface thru the mounting bolts
7. Follow wiring instructions for a switch if provided ----- TEST LIGHT
8. Install washers and hex nuts and tighten down mounting bolts until base is affixed to the surface of the vehicle.
9. Replace upholstery to original position if applicable.

Check label for proper mounting direction



DRAWING NOT TO SCALE

*******CLEAN LENS WITH WATER ONLY*******

**Use button on base to determine the pattern.
With the power on push button.**

Choose from:

1. 60 single flash / min
2. 72 quad flash / min
3. 72 hex flash / min
4. 72 Reverse QF / min
5. 32 Progressively Brighter bursts / min